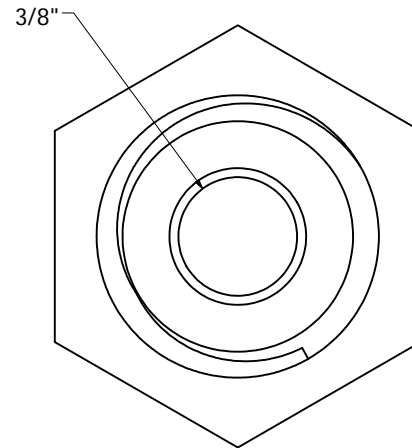
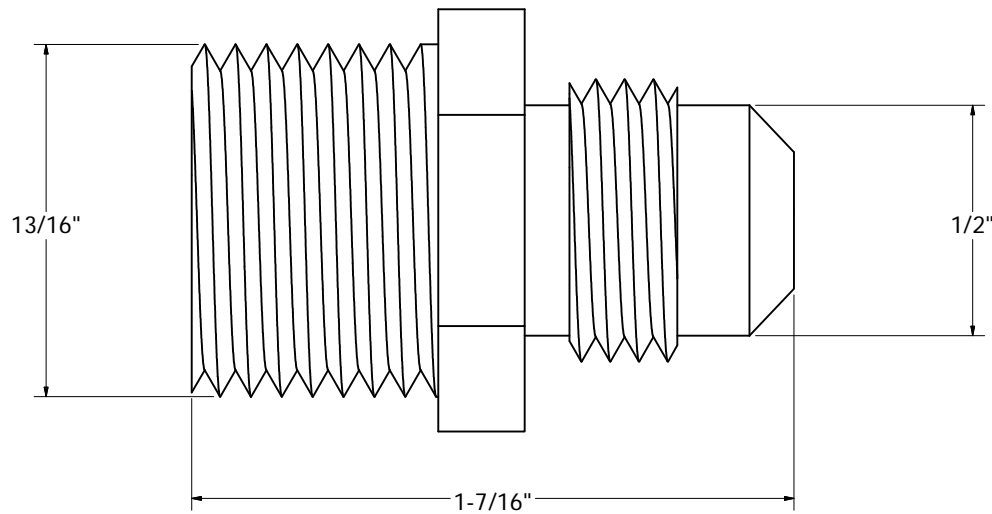
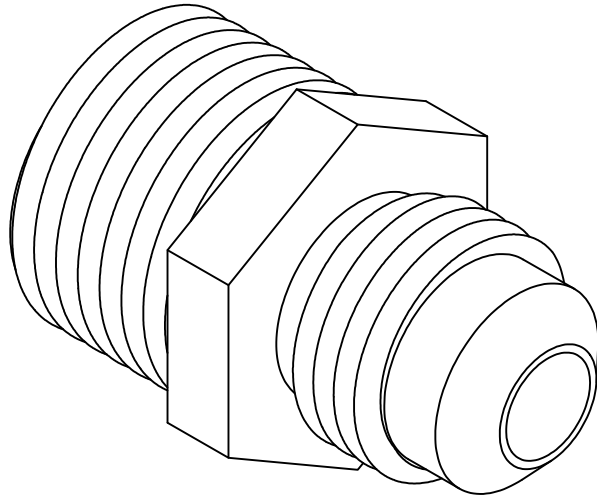


FLARE X MIP HALF UNION PLUMBEST 45° FLARE TUBE FITTINGS



PHONE NUMBER
1-800-355-6637
FAX NUMBER
1-800-462-6991
SCALE
4.5 : 1
DATE
5-04-12
SHEET
1 OF 1
DRAWN BY
ASHLEY KRALOVEC

| PART NO. | F40067 | F40068 | F40069 | F40070 | F40071 |
|------------|-------------|-------------|-------------|-------------|-------------|
| TUBE X MIP | 3/8" X 1/8" | 3/8" X 1/4" | 3/8" X 3/8" | 3/8" X 1/2" | 3/8" X 3/4" |